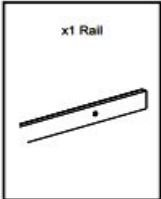
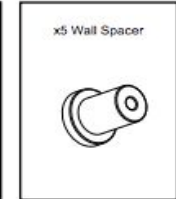

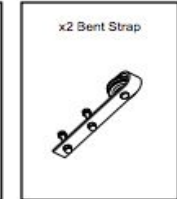
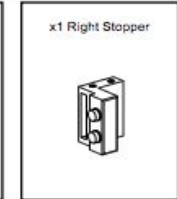
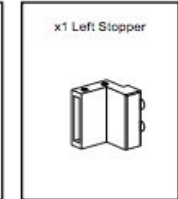




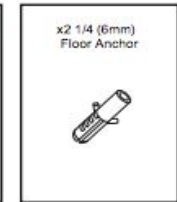
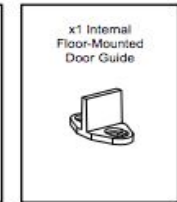
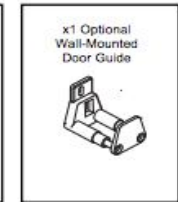
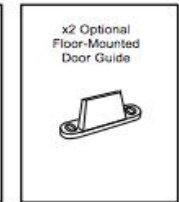


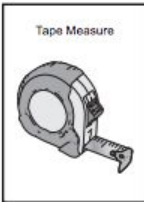
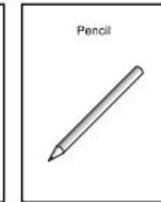


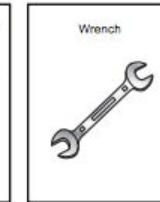
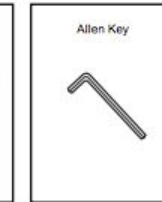
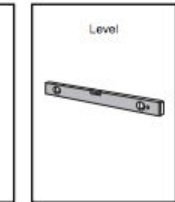

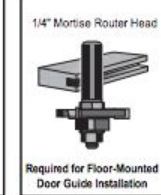
# INTERBUILD **REAL WOOD**

## Barn Door Hardware Package

### Parts List

<p>x1 Rail</p> 	<p>x5 Wall Spacer</p> 	<p>x2 Anti-jump Block</p> 	<p>x2 Bent Strap</p> 	<p>x1 Right Stopper</p> 	<p>x1 Left Stopper</p> 	<p>x5 5/16 (8mm x 60mm) Carriage Bolt</p> 
<p>x5 5/16 (8mm x 25mm) Anchor <small>(Pre-mounted to Carriage Bolt)</small></p> 	<p>x5 5/16 (8mm x 90mm) Wall Screw</p> 	<p>x2 #8 (4.2mm x 25mm) Floor Screws</p> 	<p>x2 1/4 (6mm) Floor Anchor</p> 	<p>x1 Internal Floor-Mounted Door Guide</p> 	<p>x1 Optional Wall-Mounted Door Guide</p> 	<p>x2 Optional Floor-Mounted Door Guide</p> 

### Tools Required

<p>Tape Measure</p> 	<p>Pencil</p> 	<p>Cordless Drill</p> 	<p>Phillips Screwdriver</p> 	<p>Wrench</p> 	<p>Allen Key</p> 	<p>Level</p> 
<p>Speed Square</p> 	<p>1/4" Mortise Router Head <small>Required for Floor-Mounted Door Guide Installation</small></p> 					

### Installation Instructions

# INTERBUILD REAL WOOD

## 1. Bottom Rail Floor Guide Preparation

If the door does not have a pre-cut slot along the bottom rail of the door and you want to install a hidden floor guide, you will have to cut a  $\frac{1}{4}$ " x  $\frac{3}{4}$ " slot along the bottom rail of the door. Secure the door flat on a workbench with the bottom edge of the door accessible. Using the  $\frac{1}{4}$ " router bit in a router tool, cut the slot in the bottom the door. See Figure 1. There are floor guide options in the hardware kit that do not require a door slot.

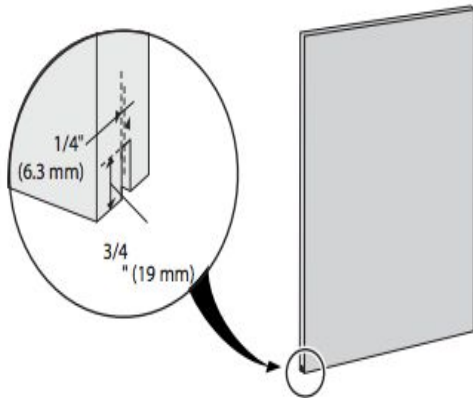


Figure 1

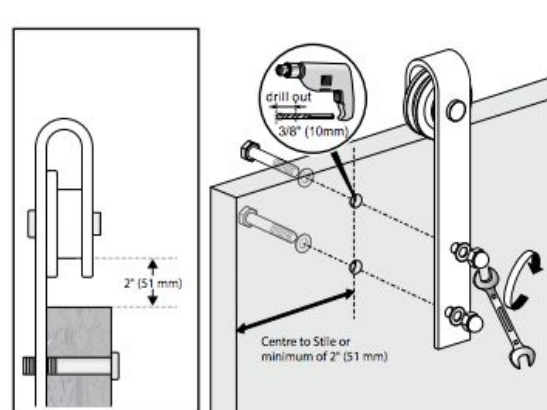


Figure 2

## 2. Door Hanger Installation

The location of the bent strap door hangers should be a minimum of 2" from the edge of the door. You have discretion to locate the door hangers more than 2" in from the edge of the door in the center of the door stiles for example. From the top of the door measure  $1\text{-}9/16$ ". Measure the first hole and mark it. Use the door hanger as a template to mark the location of the second hole. See Figure 2.

## 3. Anti-Jump Block Installation

Install the two anti-jump blocks at least 1" from the edge of the door hangers. See Figure 3.

# INTERBUILD REAL WOOD

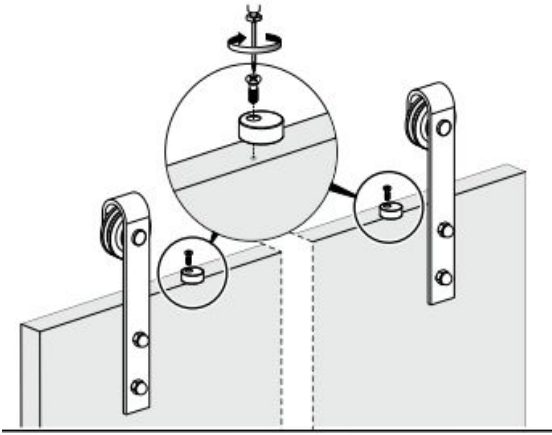


Figure 3

## 4. Installation of Track

The track must be anchored into a concrete wall or into the metal or wood studs of a dry walled wall. See Figures 4, 5 & 6 for concrete wall installation.

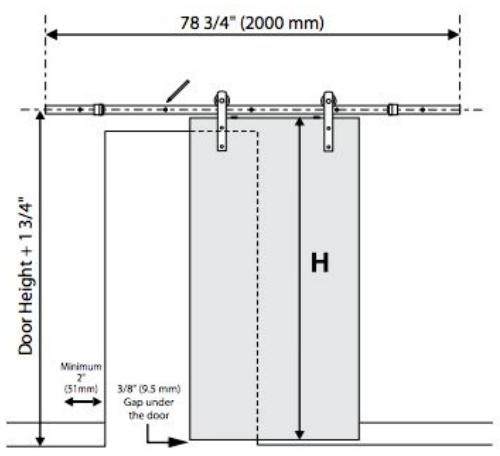


Figure 4

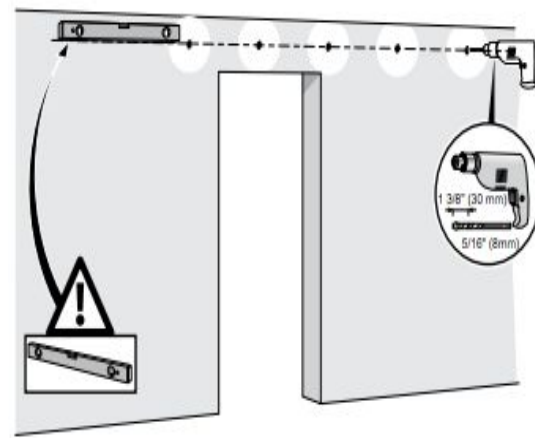
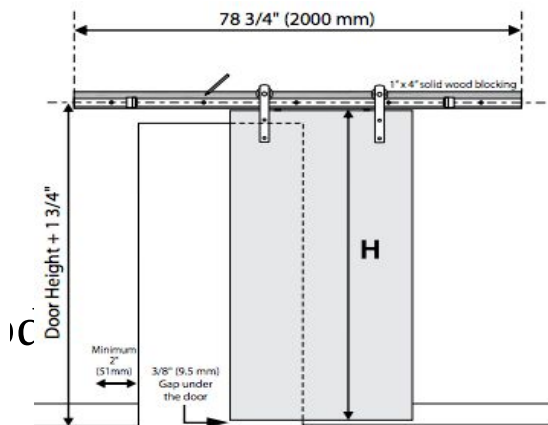
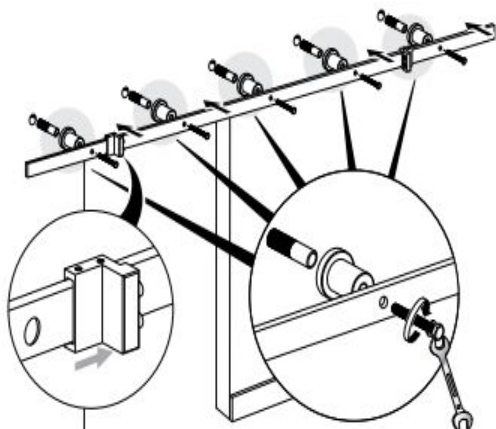


Figure 5



# INTERBUILD **REAL WOOD**

Figure 6

Figure 7

For a dry walled wall, you must install a 1" x 6" x 80" header board (sold separately with the barn door) into the wall studs first. The track and hardware are then installed into the header board. Locate the wall studs with a stud finder and mark their location on the wall 1-3/4" higher than the height of the door. Install the center of the header board to the wall studs at this location. Once the header board has been installed, attach the track and wall hardware to the header board. See Figures 7, 8 & 9.

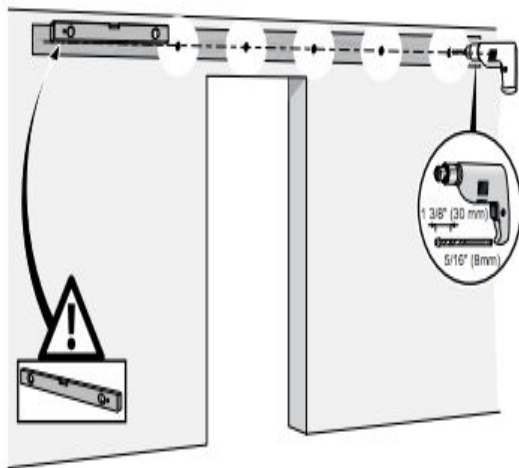


Figure 8

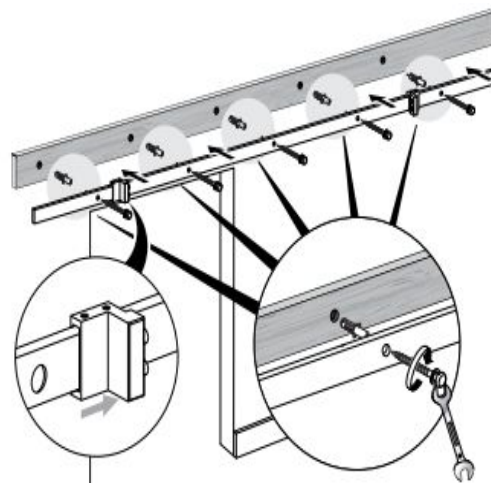


Figure 9

## 5. Hang the Door on to the Track

Two people should install the door safely onto the track. Once the wheels are on the track, turn the anti-jump blocks sideways. Install the doorstops on either end of the track. See Figures 10 & 11.

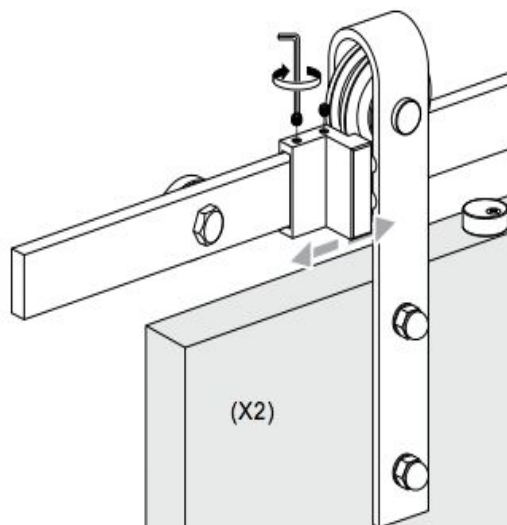
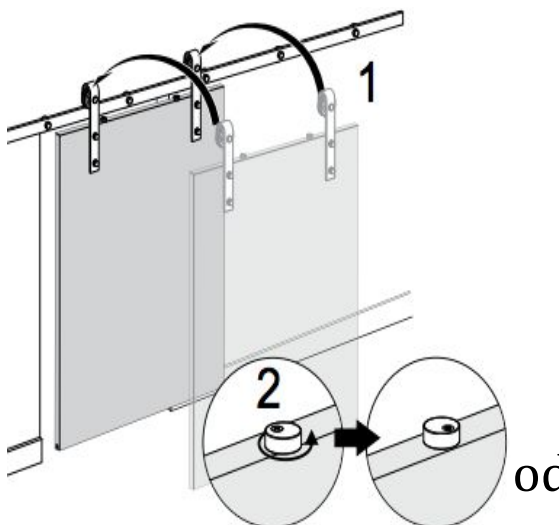


Figure 10

Figure 11

6. Install the Floor Guide

Once the door is safely on the track, install the floor guide applicable to your installation. See Figures 12, 13 & 14.

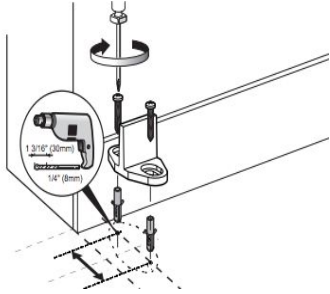


Figure 12

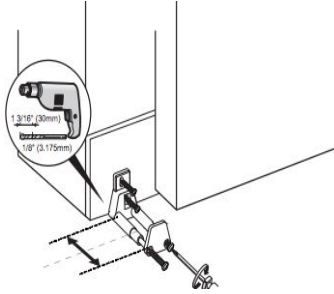


Figure 13

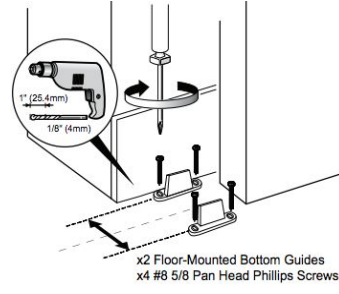


Figure 14